

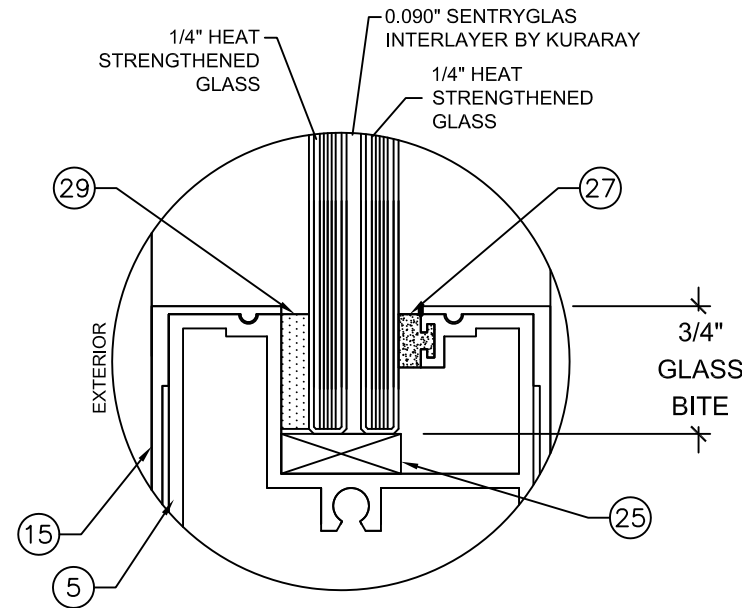
CONTINENTAL GLASS SYSTEMS

2800 SERIES LIFT AND SLIDE GLASS DOOR (LMI)

PREPARED BY:



BUILDING DROPS, INC.
 398 E. DANIA BEACH BLVD., STE. 338
 DANIA BEACH, FL 33004
 PH: (954)399-8478
 FAX: (954)744.4738
 WEB: www.buildingdrops.com



GLASS TYPE "G1"
 9/16" LAMINATED GLASS

DESIGN PRESSURE RATING	
WITH REINFORCEMENT*	+150 / -150 PSF
WITHOUT REINFORCEMENT	+110 / -110 PSF

*ALL VERTICAL MEMBERS MUST USE 6005-T5 ALUMINUM REINFORCING (ITEM NO. 18, PART NO. 2800-23), SEE SHEET 6 FOR DETAILS.

GENERAL NOTES:

- THE PRODUCT SHOWN HEREIN IS DESIGNED AND MANUFACTURED TO COMPLY WITH THE CURRENT FLORIDA BUILDING CODE (FBC), INCLUDING HVHZ AND HAS BEEN EVALUATED ACCORDING TO THE FOLLOWING:

- TAS 201-94
- TAS 202-94
- TAS 203-94

- DOOR IS RATED FOR LARGE MISSILE IMPACT. IMPACT SHUTTERS ARE NOT REQUIRED FOR ELEVATIONS LOWER THAN 30'-0" ABOVE GRADE.

- DOORS ARE APPROVED FOR AIR AND WATER INFILTRATION RESISTANCE.

- ANCHORING OR LOADING CONDITIONS NOT SHOWN IN THESE DETAILS ARE NOT PART OF THIS APPROVAL.

- MATERIALS INCLUDING BUT NOT LIMITED TO STEEL/METAL SCREWS THAT COME INTO CONTACT WITH OTHER DISSIMILAR MATERIALS SHALL MEET THE REQUIREMENTS OF THE FLORIDA BUILDING CODE.

- METAL STRUCTURES NOT BY CONTINENTAL GLASS SYSTEMS, LLC., SHALL BE DESIGNED TO SUPPORT THE LOADS IMPOSED BY THIS GLAZING SYSTEM AND TO TRANSFER SUCH LOADS TO THE MAIN BUILDING STRUCTURE.

- ULTIMATE LOAD OBTAINED FROM ASCE 7-10, MULTIPLIED BY 0.6, SHALL BE LESS THAN OR EQUAL TO MAX. DESIGN LOAD IN THIS DOCUMENT. THE DESIGN LOADS SHOWN IN THIS DOCUMENT ARE ALLOWABLE DESIGN LOADS.

-SEALANTS:

ALL FRAME CORNERS, JOINTS, MULLION SEAMS AND PERIMETER GLAZING BEAD TO FRAME INSTALLATION FASTENERS SEALED WITH SILICONE SEALANT.

-TYPICAL ANCHORS: (SEE ELEVATIONS FOR SPACING)

TYPE 'A' -- 5/16" DIA. ULTRACON BY 'ELCO' (Fu=177 KSI, Fy=155 KSI) DIRECTLY INTO CONCRETE (MINIMUM COMPRESSIVE STRENGTH OF 3000 PSI). 1-3/4" MIN. EMBED IN CONCRETE INTO WOOD STRUCTURE (WOOD MIN. SPECIFIC GRAVITY = 0.55) 1-1/2" MIN. EMBEDMENT IN WOOD

TYPE 'B' -- 5/16" DIA. SELF DRILLING SCREWS (GRADE 5 CRS) INTO MIAMI-DADE COUNTY APPROVED MULLIONS (1/8" THK. MIN.) INTO METAL STRUCTURES MIN. THREE THREADS PENETRATION BEYOND METAL WALL. STEEL: 18 GA. MIN. (F'y=33 KSI MIN.) ALUMINUM: 1/8" THK. MIN. (6063-T5 MIN.) (STEEL IN CONTACT WITH ALUMINUM TO BE PLATED OR PAINTED)

TYPICAL EDGE DISTANCES

INTO CONCRETE = 2-1/2" MIN.
 INTO WOOD STRUCTURE = 1-1/4" MIN.(5/16" ANCHORS)
 INTO METAL STRUCTURE = 3/4" MIN.

ANCHOR REQUIREMENTS

1. THE NUMBER OF INSTALLATION ANCHORS DEPICTED IS THE MINIMUM NUMBER OF ANCHORS TO BE USED FOR PRODUCT INSTALLATION.
2. INSTALL INDIVIDUAL INSTALLATION ANCHORS WITHIN A TOLERANCE OF ±1/2 INCH OF THE DEPICTED LOCATION IN THE ANCHOR LAYOUT DETAIL (I.E., WITHOUT CONSIDERATION OF TOLERANCES). TOLERANCES ARE NOT CUMULATIVE FROM ONE INSTALLATION ANCHOR TO THE NEXT.
3. SHIM AS REQUIRED AT EACH INSTALLATION ANCHOR WITH LOAD BEARING SHIM(S). MAXIMUM ALLOWABLE SHIM STACK TO BE 1/2 INCH. SHIM WHERE SPACE OF 1/16 INCH OR GREATER OCCURS. SHIM(S) SHALL BE CONSTRUCTED OF HIGH DENSITY PLASTIC OR BETTER.
4. ANCHORS SHALL BE AS LISTED, AND SPACED AS SHOWN ON DETAILS. ANCHOR EMBEDMENT TO BASE MATERIAL SHALL BE BEYOND WALL DRESSING OR STUCCO. INSTALLATION ANCHORS SHALL BE INSTALLED IN ACCORDANCE WITH ANCHOR MANUFACTURER'S INSTALLATION INSTRUCTIONS

LIMITATIONS OF USE

- A- THIS PRODUCT EVALUATION DOCUMENT (P.E.D.) PREPARED BY THIS ENGINEER IS GENERIC AND DOES NOT PROVIDE INFORMATION FOR A SITE SPECIFIC PROJECT; I.E. WHERE THE SITE CONDITIONS DEVIATE FROM THE P.E.D.
- B- CONTRACTOR TO BE RESPONSIBLE FOR THE SELECTION, PURCHASE AND INSTALLATION OF THIS PRODUCT BASED ON THIS PRODUCT EVALUATION PROVIDED HE/SHE DOES NOT DEVIATE FROM THE CONDITIONS DETAILED ON THIS DOCUMENT.
- C- THIS PRODUCT EVALUATION DOCUMENT WILL BE CONSIDERED INVALID IF ALTERED BY ANY MEANS.
- D- SITE SPECIFIC PROJECTS SHALL BE PREPARED BY A FLORIDA REGISTERED ENGINEER OR ARCHITECT WHICH WILL BECOME THE ENGINEER OF RECORD (E.O.R.) FOR THE PROJECT AND WHO WILL BE RESPONSIBLE FOR THE PROPER USE OF THE P.E.D.
- E- THIS P.E.D. SHALL BEAR THE DATE AND ORIGINAL SEAL AND SIGNATURE OF THE PROFESSIONAL ENGINEER OF RECORD THAT PREPARED IT.

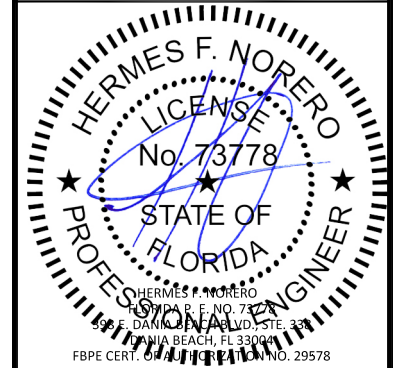
TITLE: **SERIES 2800 LIFT AND SLIDE GLASS DOOR (LMI)**
 GENERAL NOTES AND GLAZING DETAIL

325 WEST 74 PLACE,
 HIALEAH, FL 33014
 PH: (305)231-1101
 FAX: (305)231-1103



REMARKS	BY	DATE

THIS DOCUMENT IS THE PROPERTY OF BUILDING DROPS, INC. AND SHALL NOT BE REPRODUCED IN WHOLE OR PART WITHOUT WRITTEN CONSENT OF BUILDING DROPS, INC. ALTERATIONS, ADDITIONS, HIGHLIGHTING, OR OTHER MARKINGS TO THIS DOCUMENT ARE NOT PERMITTED AND INVALIDATE OUR CERTIFICATION.



DATE: **02.12.16**

DWG. BY: **SM** CHK. BY: **HFN**

SCALE: **NTS**

DWG. #: **CGS120**

SHEET: **1** OF 11

PREPARED BY:



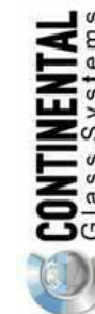
BUILDING DROPS, INC.

398 E. DANIA BEACH BLVD., STE. 338
DANIA BEACH, FL 33004
PH: (954)399-8478
FAX: (954)744.4738
WEB: www.buildingdrops.com

TITLE: SERIES 2800 LIFT AND SLIDE GLASS DOOR (LMI)

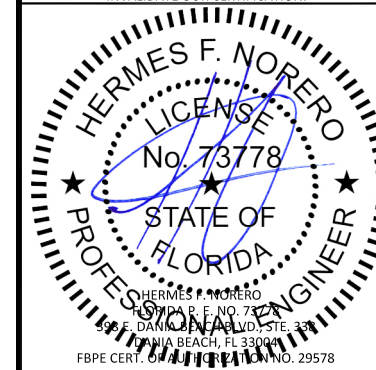
VERTICAL SECTIONS

325 WEST 74 PLACE,
HIALEAH, FL 33014
PH: (305)231-1101
FAX: (305)231-1103



REMARKS	BY	DATE

THIS DOCUMENT IS THE PROPERTY OF BUILDING DROPS, INC. AND SHALL NOT BE REPRODUCED IN WHOLE OR PART WITHOUT WRITTEN CONSENT OF BUILDING DROPS, INC. ALTERATIONS, ADDITIONS, HIGHLIGHTING, OR OTHER MARKINGS TO THIS DOCUMENT ARE NOT PERMITTED AND INVALIDATE OUR CERTIFICATION.



DATE: 02.12.16

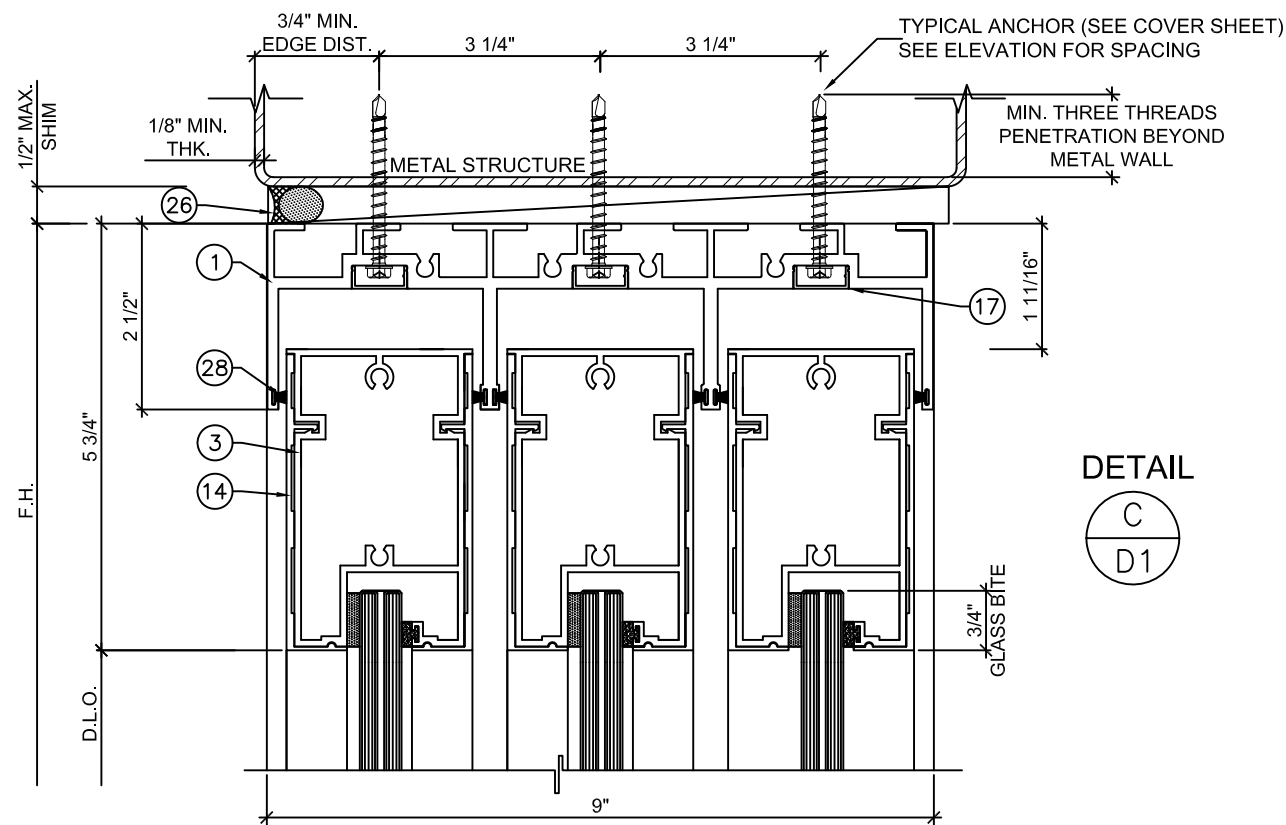
DWG. BY: SM

CHK. BY: HFN

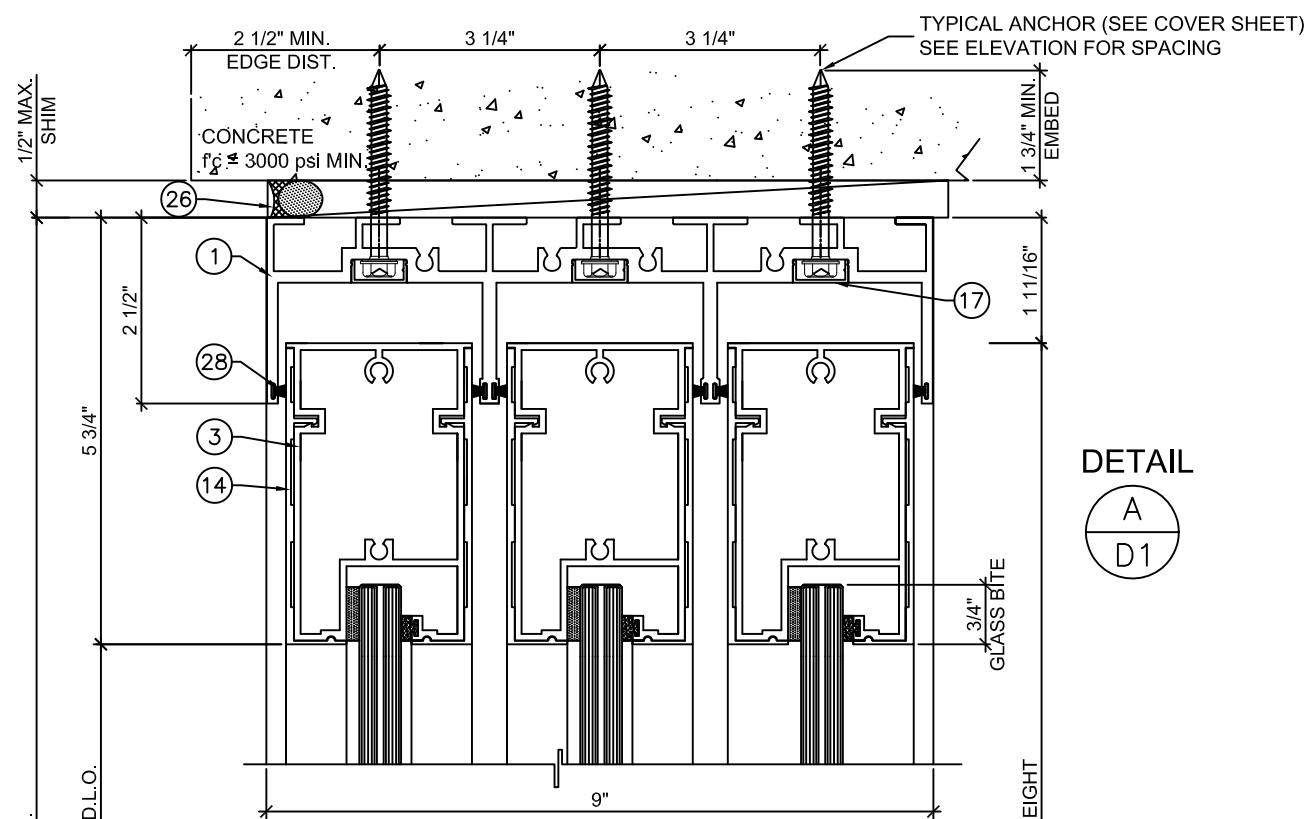
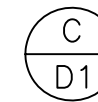
SCALE: NTS

DWG. #: CGS120

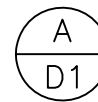
SHEET: OF 11



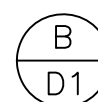
DETAIL C



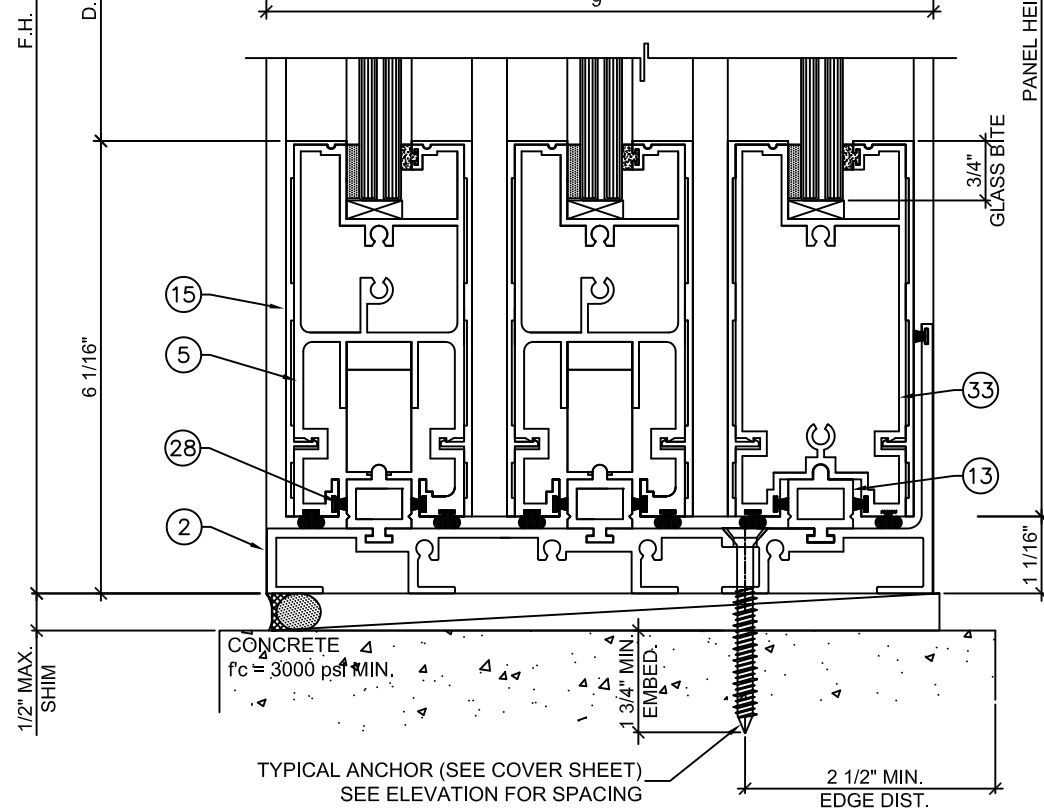
DETAIL A



DETAIL B



EXTERIOR



TYPICAL ANCHOR (SEE COVER SHEET) SEE ELEVATION FOR SPACING

2 1/2" MIN. EDGE DIST.

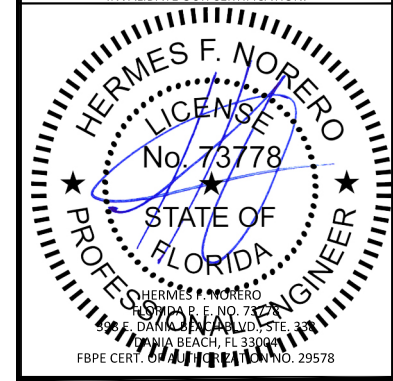
TITLE: **SERIES 2800 LIFT AND SLIDE GLASS DOOR (LMI)**
 VERTICAL SECTIONS

325 WEST 74 PLACE,
 HIALEAH, FL 33014
 PH: (305)231-1101
 FAX: (305)231-1103

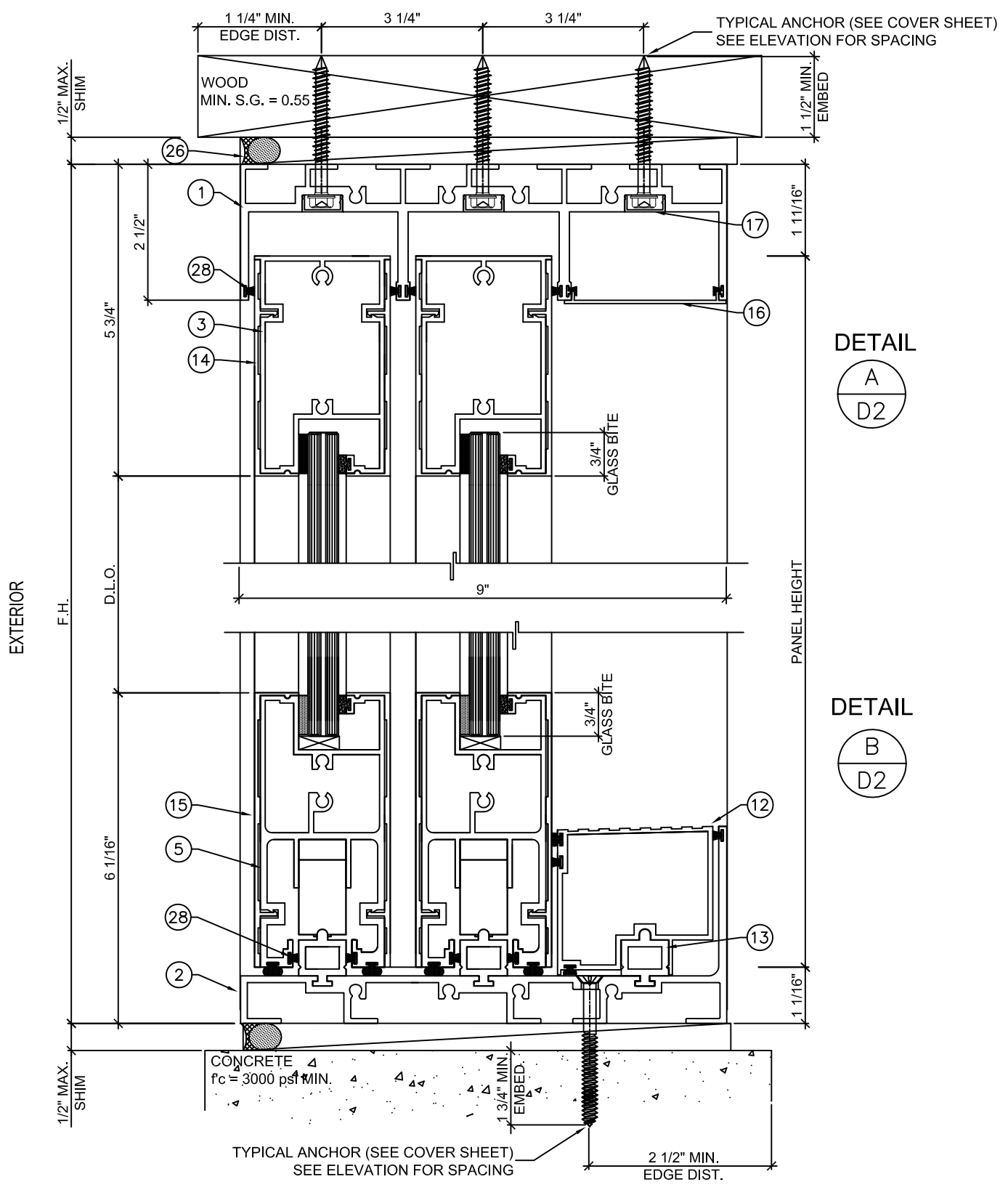
CONTINENTAL
 Glass Systems

REMARKS	BY	DATE

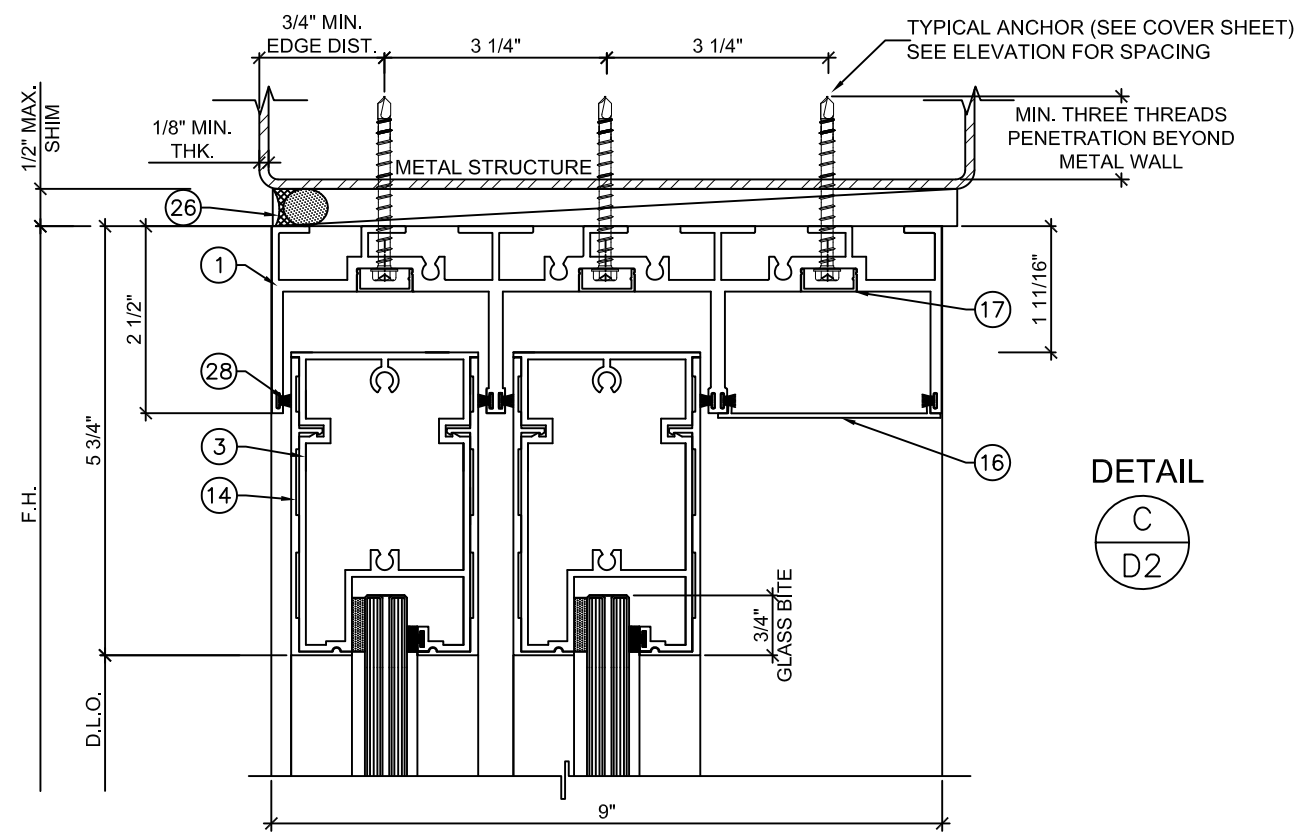
THIS DOCUMENT IS THE PROPERTY OF BUILDING DROPS, INC. AND SHALL NOT BE REPRODUCED IN WHOLE OR PART WITHOUT WRITTEN CONSENT OF BUILDING DROPS, INC. ALTERATIONS, ADDITIONS, HIGHLIGHTING, OR OTHER MARKINGS TO THIS DOCUMENT ARE NOT PERMITTED AND INVALIDATE OUR CERTIFICATION.



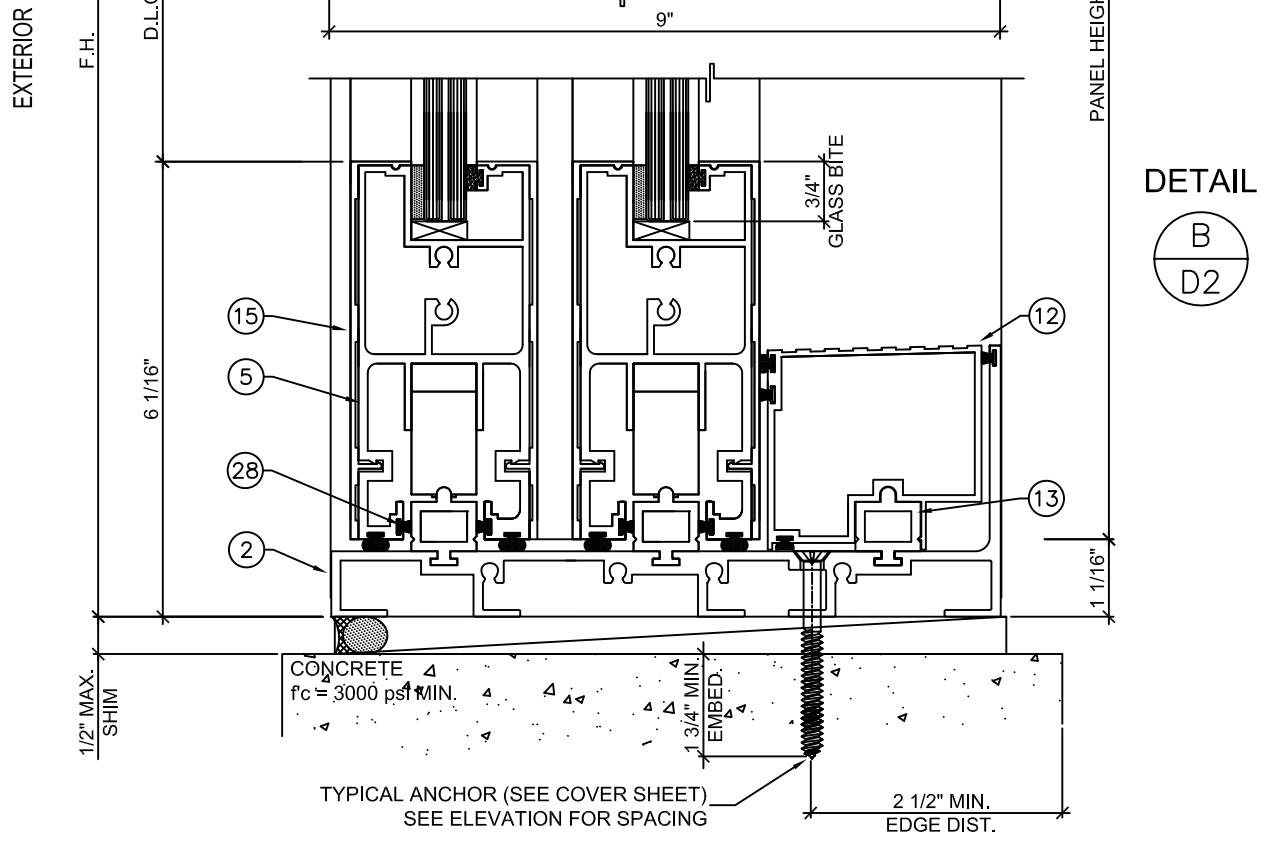
DATE:	02.12.16	
DWG. BY:	SM	CHK. BY: HFN
SCALE:	NTS	
DWG. #:	CGS120	
SHEET:	4 OF 11	



DETAIL
 A
 D2



DETAIL
 C
 D2



DETAIL
 B
 D2

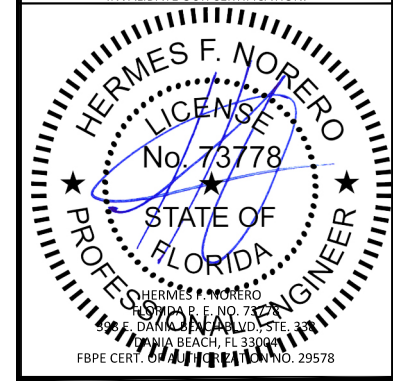
TITLE: **SERIES 2800 LIFT AND SLIDE GLASS DOOR (LMI)**
 VERTICAL SECTIONS

325 WEST 74 PLACE,
 HIALEAH, FL 33014
 PH: (305)231-1101
 FAX: (305)231-1103

CONTINENTAL
 Glass Systems

REMARKS	BY	DATE

THIS DOCUMENT IS THE PROPERTY OF BUILDING DROPS, INC. AND SHALL NOT BE REPRODUCED IN WHOLE OR PART WITHOUT WRITTEN CONSENT OF BUILDING DROPS, INC. ALTERATIONS, ADDITIONS, HIGHLIGHTING, OR OTHER MARKINGS TO THIS DOCUMENT ARE NOT PERMITTED AND INVALIDATE OUR CERTIFICATION.



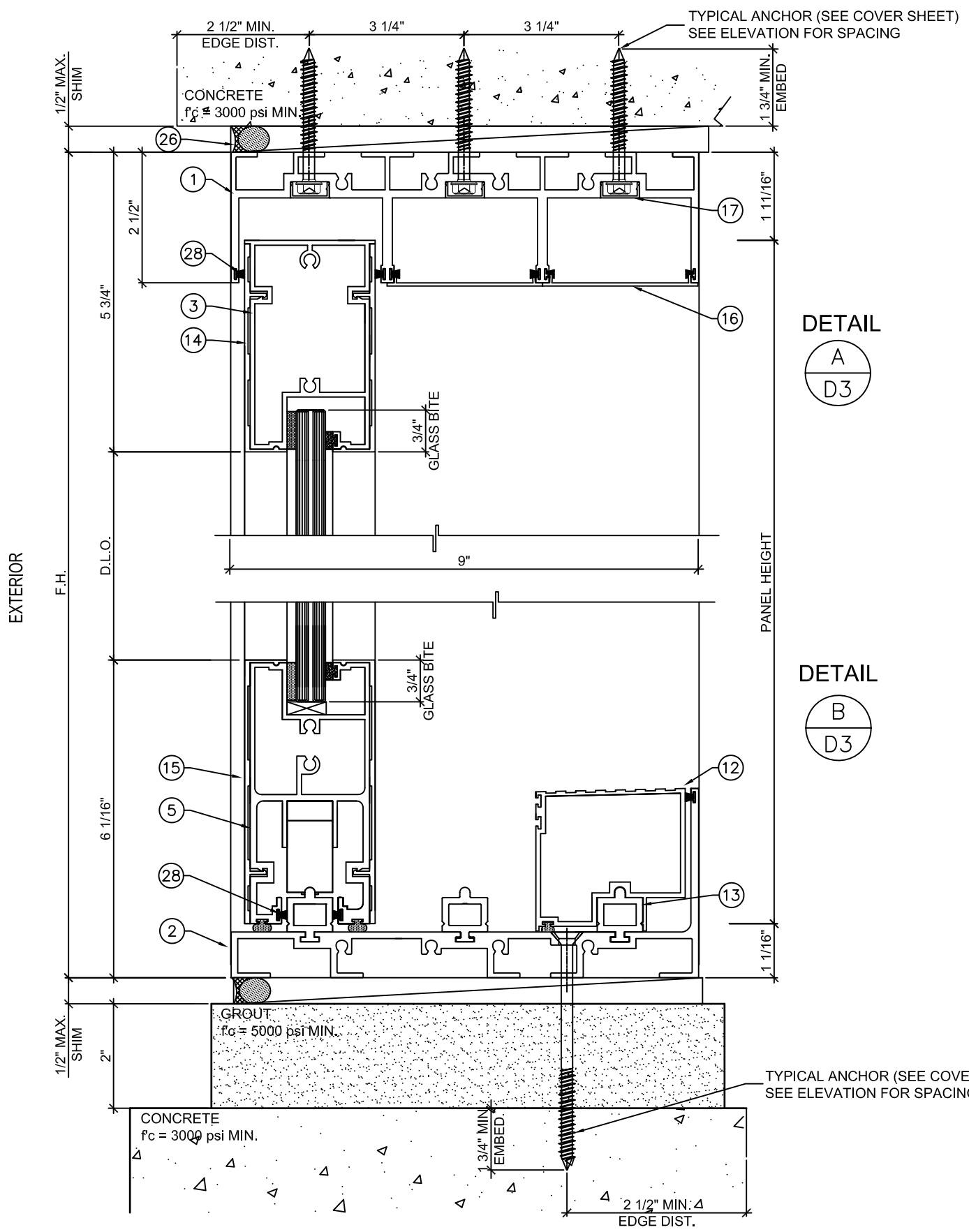
DATE: **02.12.16**

DWG. BY: **SM** CHK. BY: **HFN**

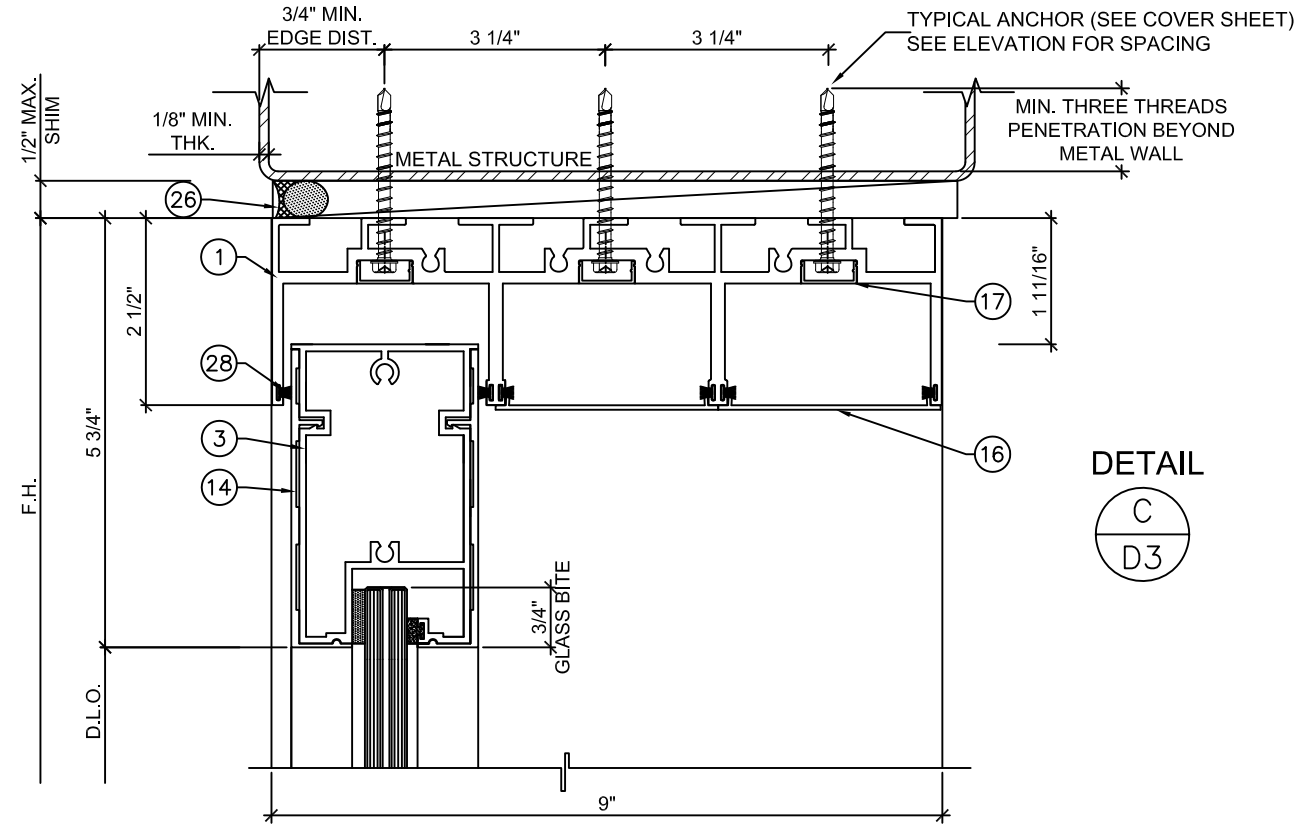
SCALE: **NTS**

DWG. #: **CGS120**

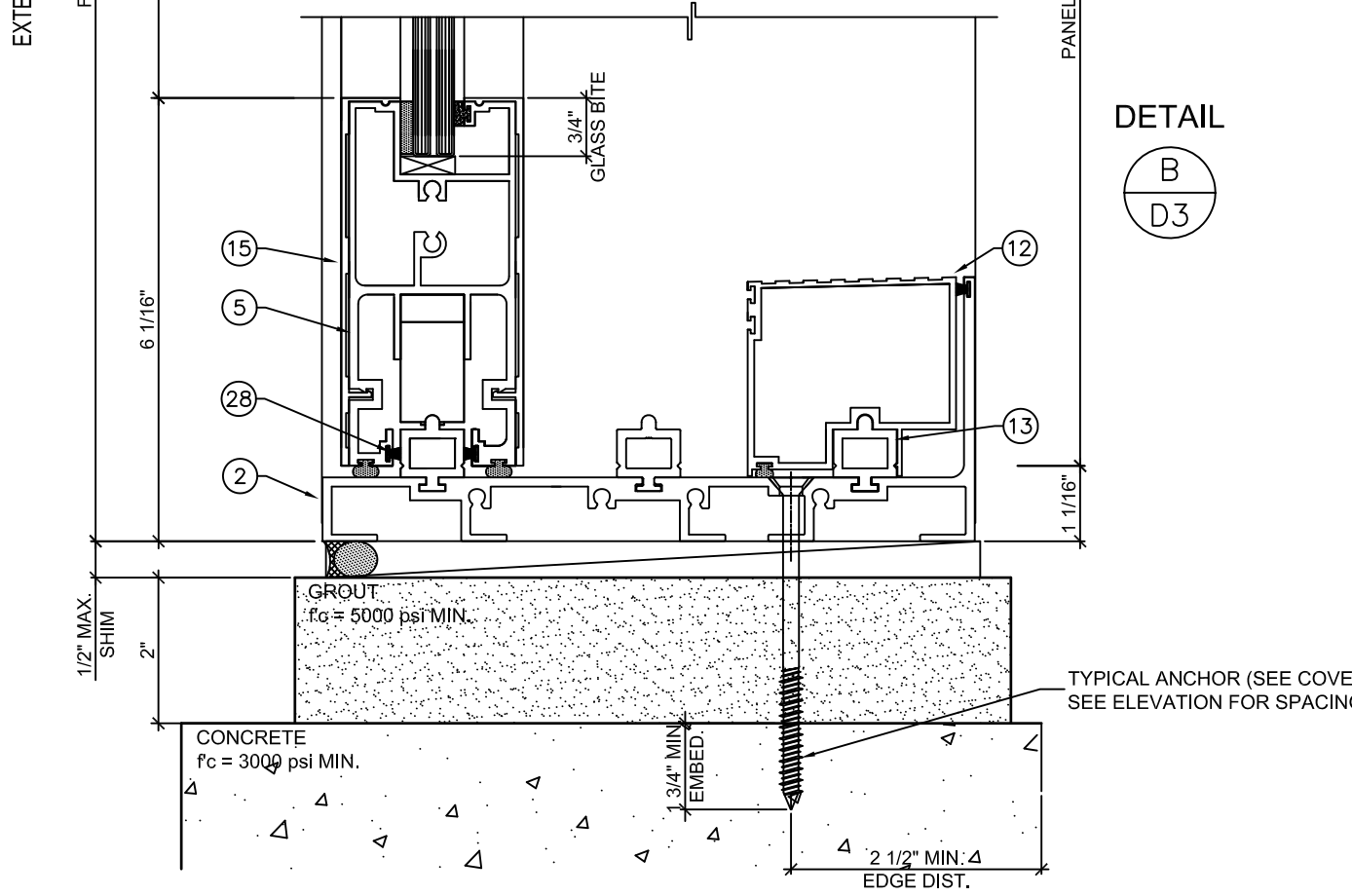
SHEET: **5** OF 11



DETAIL
 A
 D3



DETAIL
 C
 D3



DETAIL
 B
 D3

PREPARED BY:



BUILDING DROPS, INC.

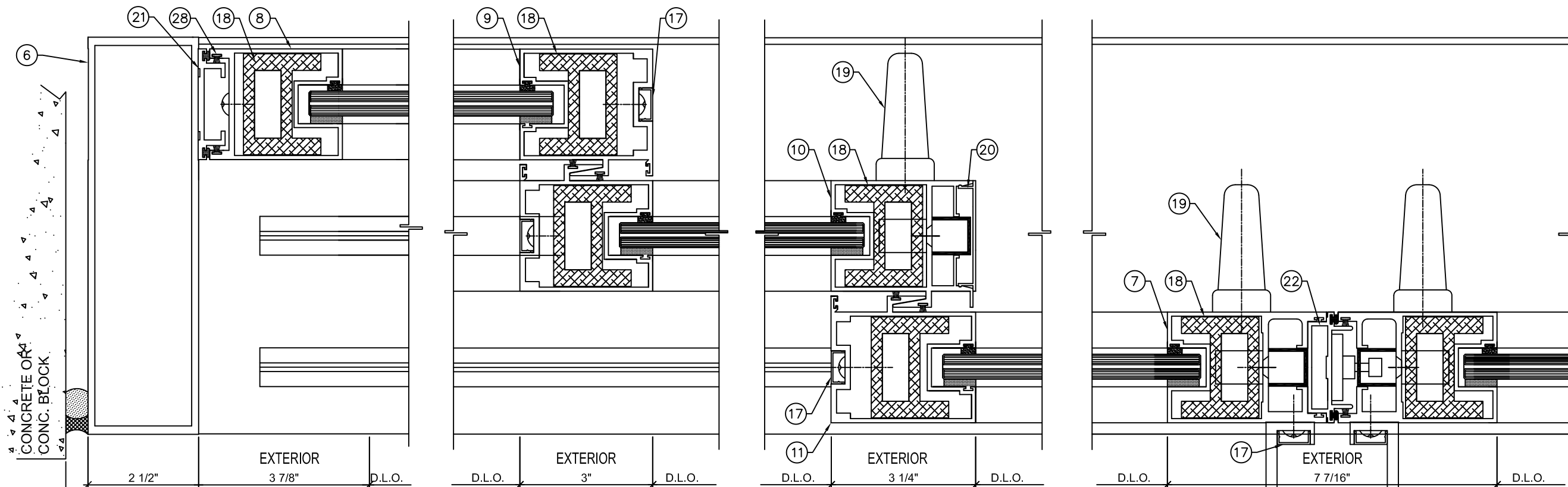
398 E. DANIA BEACH BLVD., STE. 338
 DANIA BEACH, FL 33004
 PH: (954)399-8478
 FAX: (954)744.4738
 WEB: www.buildingdrops.com

TITLE: SERIES 2800 LIFT AND SLIDE GLASS DOOR (LMI)

HORIZONTAL SECTIONS

325 WEST 74 PLACE,
 HIALEAH, FL 33014
 PH: (305)231-1101
 FAX: (305)231-1103

CONTINENTAL
 Glass Systems



DETAIL $\frac{D}{D4}$

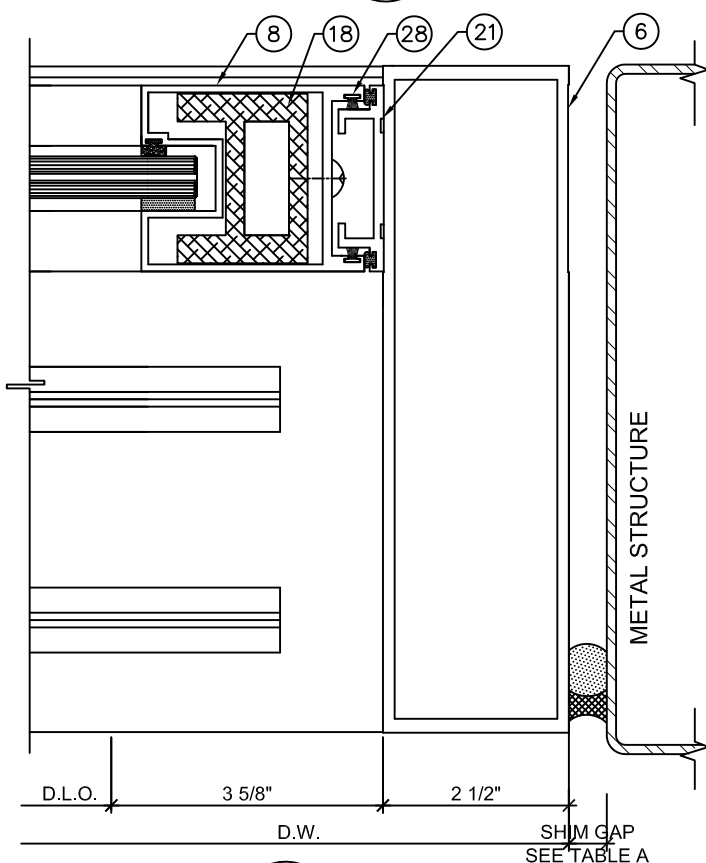
DETAIL $\frac{E}{D4}$

DETAIL $\frac{F}{D4}$

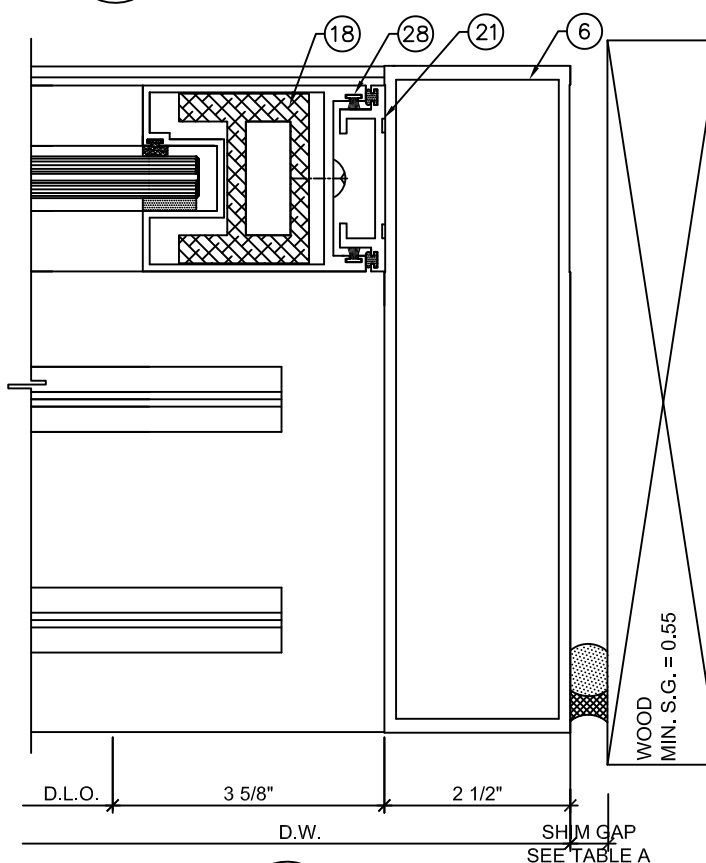
DETAIL $\frac{G}{D4}$

TABLE A

MAX. FRAME HEIGHT	JAMB GAP	
	MIN.	MAX.
90"	5/16"	1-1/2"
96"	5/16"	1-1/2"
102"	5/16"	1-1/2"
108"	5/16"	1-1/2"
114"	5/16"	1-1/2"
120"	3/8"	1-1/2"
126"	3/8"	1-1/2"
128"	3/8"	1-1/2"
132"	3/8"	1-1/2"



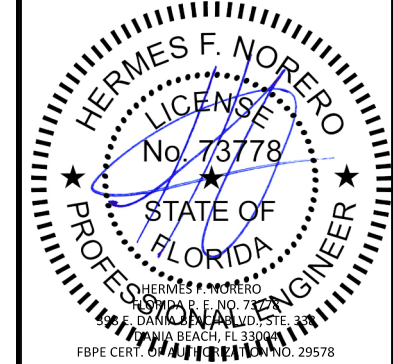
DETAIL $\frac{H}{D4}$



DETAIL $\frac{I}{D4}$

DESIGN PRESSURE
 +150 / -150 PSF

THIS DOCUMENT IS THE PROPERTY OF BUILDING DROPS, INC. AND SHALL NOT BE REPRODUCED IN WHOLE OR PART WITHOUT WRITTEN CONSENT OF BUILDING DROPS, INC. ALTERATIONS, ADDITIONS, HIGHLIGHTING, OR OTHER MARKINGS TO THIS DOCUMENT ARE NOT PERMITTED AND INVALIDATE OUR CERTIFICATION.



DATE: 02.12.16
 DWG. BY: SM
 CHK. BY: HFN
 SCALE: NTS
 DWG. #: CGS120
 SHEET: OF 11

PREPARED BY:



BUILDING DROPS, INC.

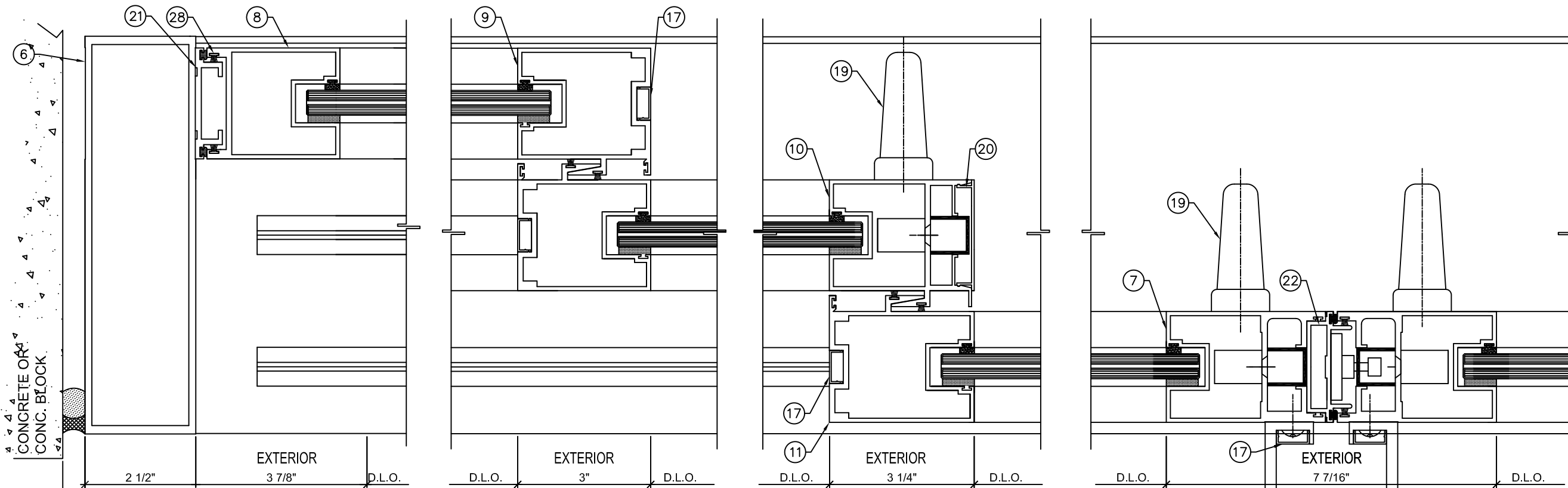
398 E. DANIA BEACH BLVD., STE. 338
 DANIA BEACH, FL 33004
 PH: (954)399-8478
 FAX: (954)744.4738
 WEB: www.buildingdrops.com

TITLE: SERIES 2800 LIFT AND SLIDE GLASS DOOR (LMI)

HORIZONTAL SECTIONS

325 WEST 74 PLACE,
 HIALEAH, FL 33014
 PH: (305)231-1101
 FAX: (305)231-1103

CONTINENTAL
 Glass Systems



DETAIL $\frac{D}{D5}$

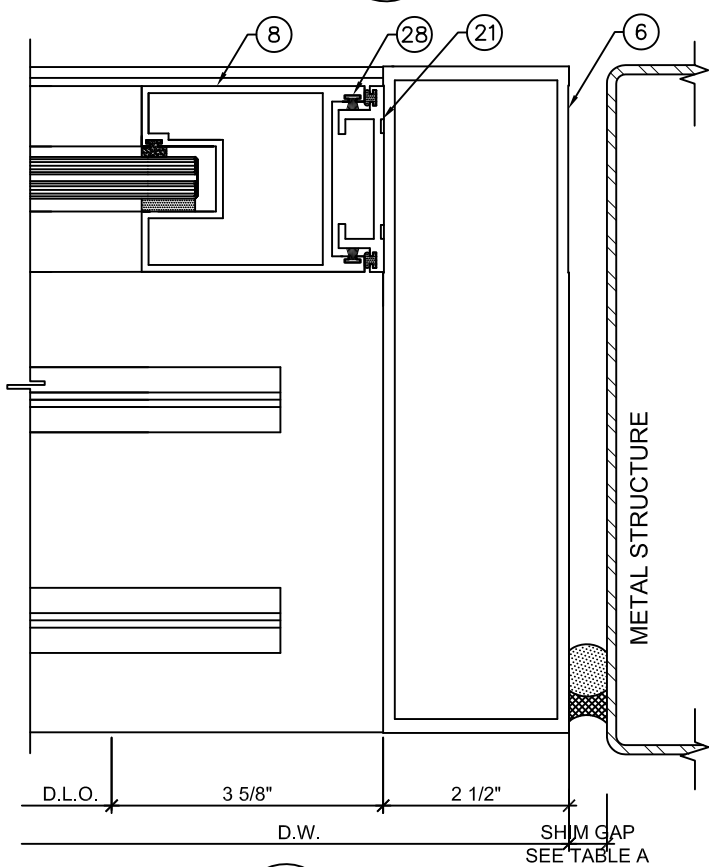
DETAIL $\frac{E}{D5}$

DETAIL $\frac{F}{D5}$

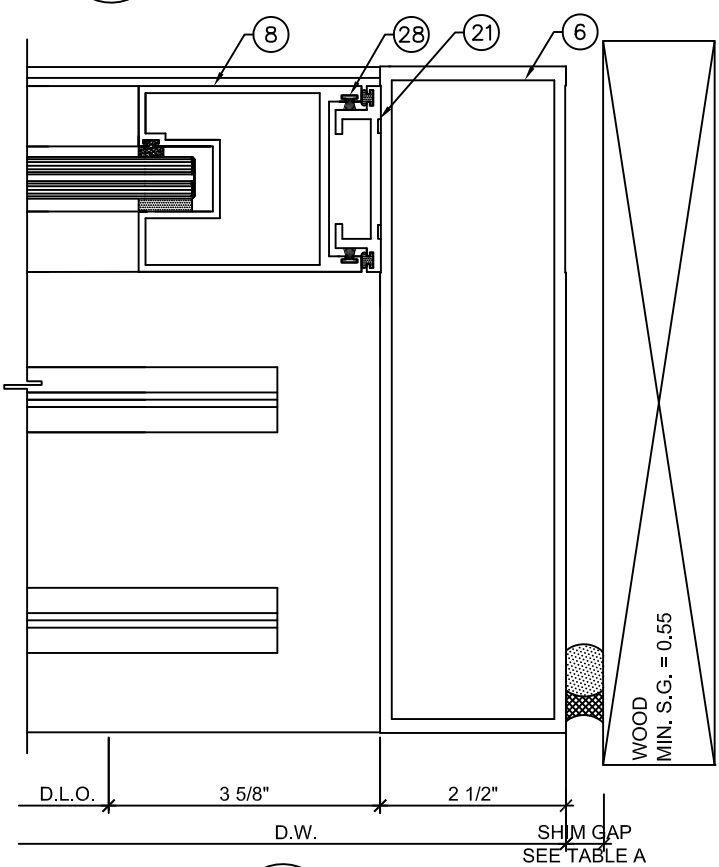
DETAIL $\frac{G}{D5}$

TABLE A

MAX. FRAME HEIGHT	JAMB GAP	
	MIN.	MAX.
90"	5/16"	1-1/2"
96"	5/16"	1-1/2"
102"	5/16"	1-1/2"
108"	5/16"	1-1/2"
114"	5/16"	1-1/2"
120"	3/8"	1-1/2"
126"	3/8"	1-1/2"
128"	3/8"	1-1/2"
132"	3/8"	1-1/2"



DETAIL $\frac{H}{D5}$

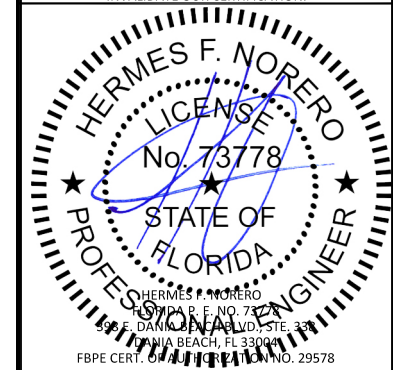


DETAIL $\frac{I}{D5}$

DESIGN PRESSURE
 +110 / -110 PSF

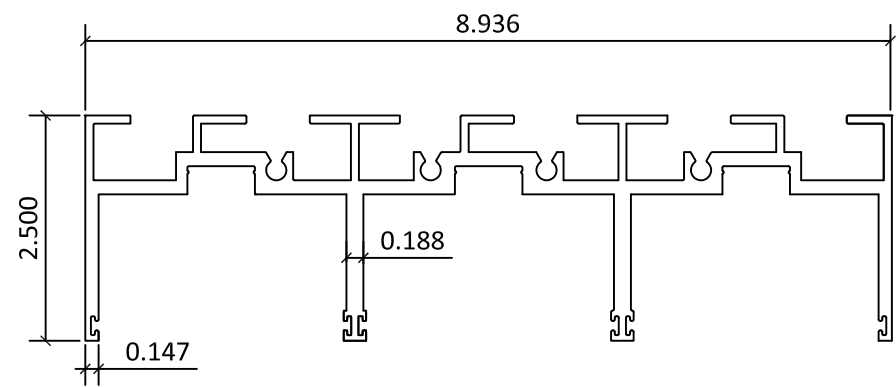
REMARKS	BY	DATE

THIS DOCUMENT IS THE PROPERTY OF BUILDING DROPS, INC. AND SHALL NOT BE REPRODUCED IN WHOLE OR PART WITHOUT WRITTEN CONSENT OF BUILDING DROPS, INC. ALTERATIONS, ADDITIONS, HIGHLIGHTING, OR OTHER MARKINGS TO THIS DOCUMENT ARE NOT PERMITTED AND INVALIDATE OUR CERTIFICATION.

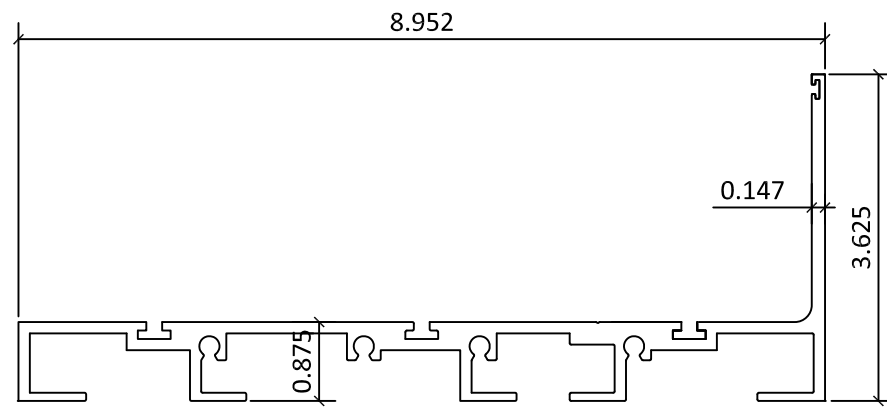


HERMES F. NORERO
 LICENSED PROFESSIONAL ENGINEER
 STATE OF FLORIDA
 No. 73778
 FBPE CERT. NO. 29578

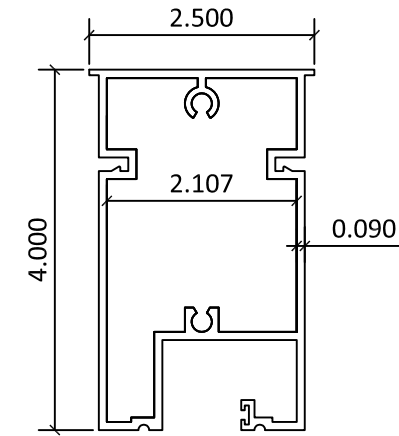
DATE:	02.12.16
DWG. BY:	SM
CHK. BY:	HFN
SCALE:	NTS
DWG. #:	CGS120
SHEET:	OF 11



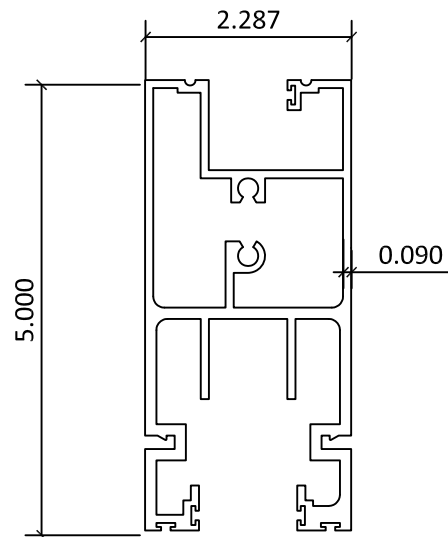
1 HEAD
2800-16 6005-T5



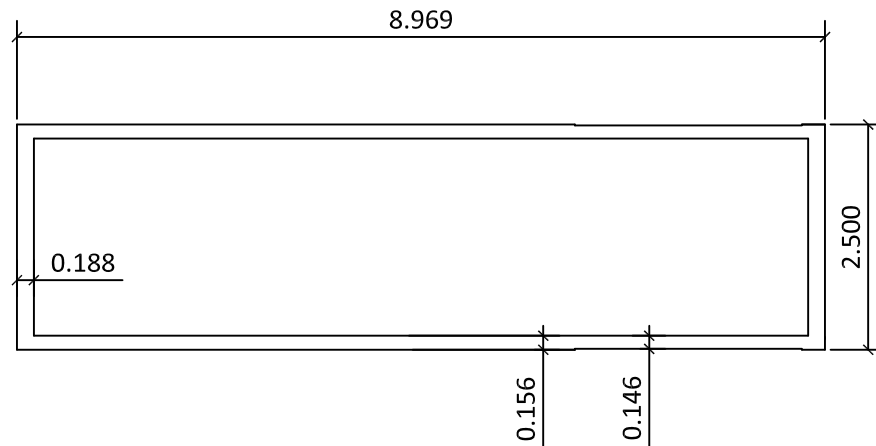
2 SILL
2800-17 6005-T5



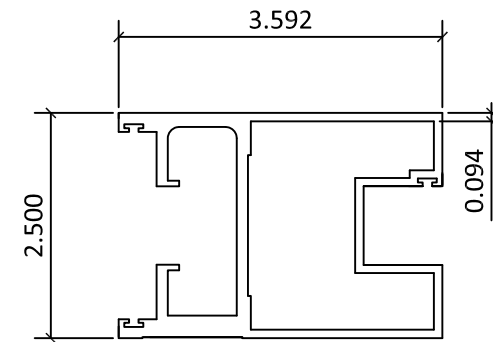
3 TOP RAIL
2800-08 6005-T5



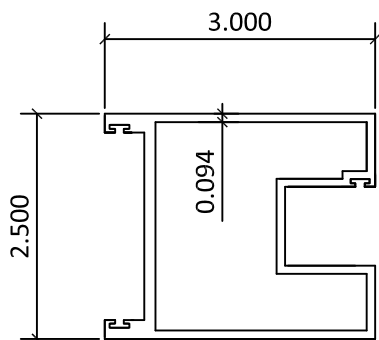
5 BOTTOM RAIL
2800-09 6005-T5



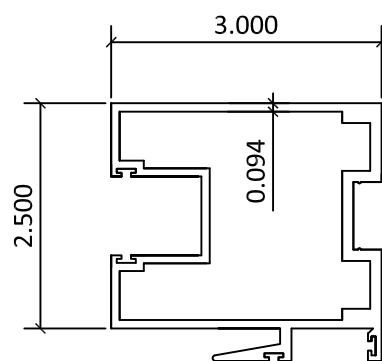
6 JAMB
2800-18 6005-T5



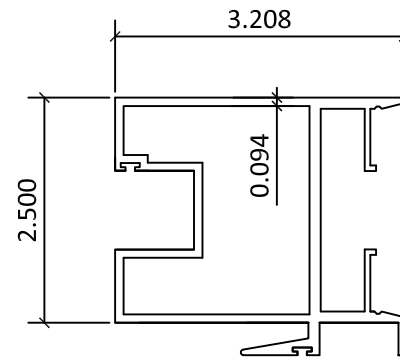
7 LOCK STILE
2800-10 6005-T5



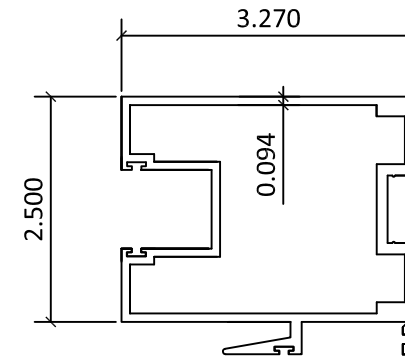
8 FIXED STILE
2800-13 6005-T5



9 INTERLOCK
2800-11 6005-T5



10 INTERSTILE
2800-14 6005-T5



11 INTERLOCK
2800-12 6005-T5

PREPARED BY:



BUILDING DROPS, INC.
398 E. DANIA BEACH BLVD., STE. 338
DANIA BEACH, FL 33004
PH: (954)399-8478
FAX: (954)744.4738
WEB: www.buildingdrops.com

TITLE: SERIES 2800 LIFT AND SLIDE GLASS DOOR (LMI)

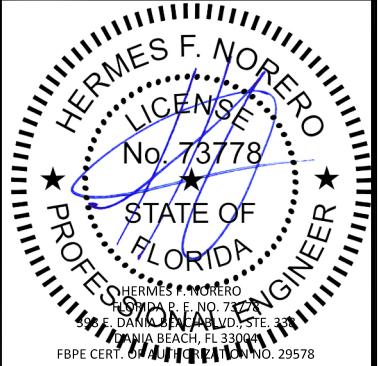
COMPONENTS

325 WEST 74 PLACE,
HIALEAH, FL 33014
PH: (305)231-1101
FAX: (305)231-1103



REMARKS	BY	DATE

THIS DOCUMENT IS THE PROPERTY OF BUILDING DROPS, INC. AND SHALL NOT BE REPRODUCED IN WHOLE OR PART WITHOUT WRITTEN CONSENT OF BUILDING DROPS, INC. ALTERATIONS, ADDITIONS, HIGHLIGHTING, OR OTHER MARKINGS TO THIS DOCUMENT ARE NOT PERMITTED AND INVALIDATE OUR CERTIFICATION.



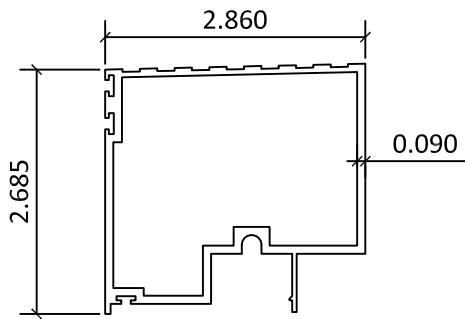
DATE: 02.12.16

DWG. BY: SM CHK. BY: HFN

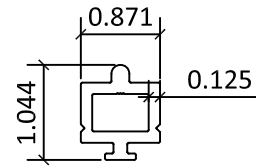
SCALE: NTS

DWG. #: CGS120

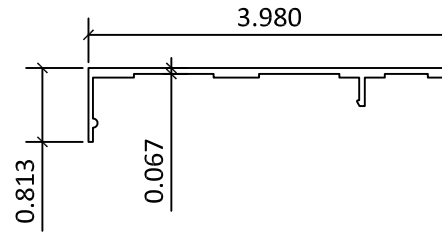
SHEET: 8 OF 11



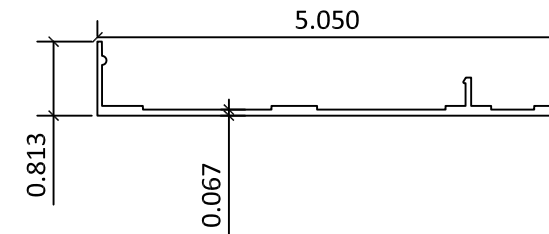
12 THRESHOLD
2800-24 6063-T6



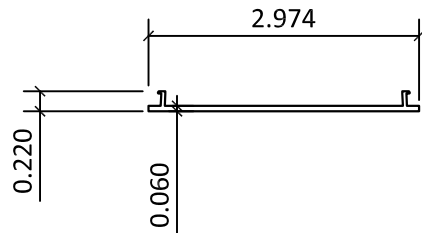
13 SILL TRACK
2800-05 6005-T5



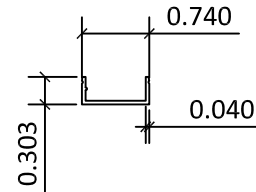
14 TOP COVER
2800-26 6063-T6



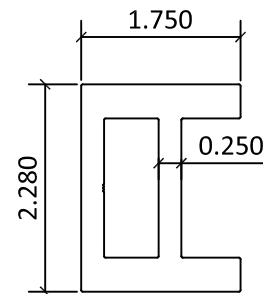
15 BOTTOM COVER
2800-25 6063-T6



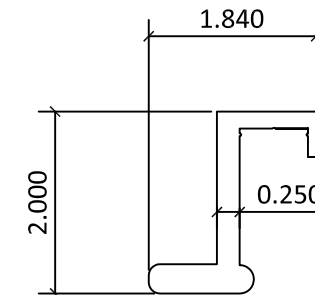
16 COVER HEAD
2800-40 6063-T6



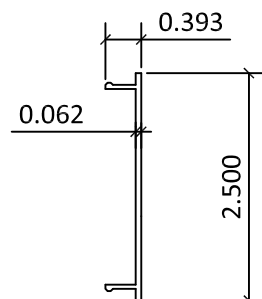
17 HEAD SCREW COVER
5500-09 6063-T6



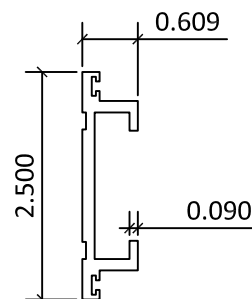
18 REINFORCEMENT
2800-23 6005-T5



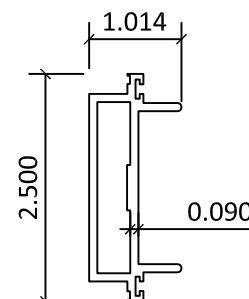
19 HANDLE
2800-20 6005-T5



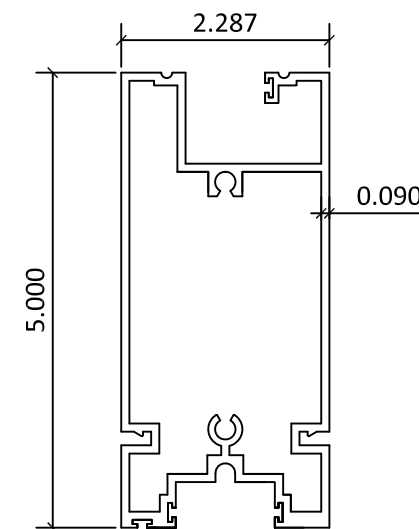
20 INTERSTILE COVER
2800-27 6063-T6



21 JAMB ADAPTOR
2800-21 6005-T5



22 ASTRAGAL
2800-06 6005-T5



33 FIXED PANEL BOTTOM RAIL
2800-19 6005-T5

PREPARED BY:



BUILDING DROPS, INC.

398 E. DANIA BEACH BLVD., STE. 338
DANIA BEACH, FL 33004
PH: (954)399-8478
FAX: (954)744.4738
WEB: www.buildingdrops.com

TITLE: SERIES 2800 LIFT AND SLIDE GLASS DOOR (LMI)

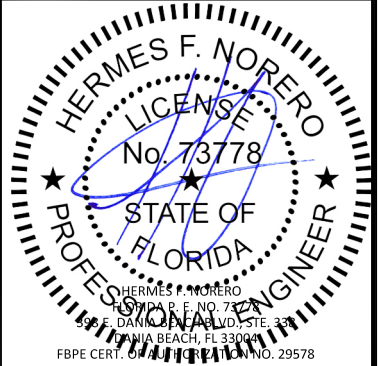
COMPONENTS

325 WEST 74 PLACE,
HIALEAH, FL 33014
PH: (305)231-1101
FAX: (305)231-1103



REMARKS	BY	DATE

THIS DOCUMENT IS THE PROPERTY OF BUILDING DROPS, INC. AND SHALL NOT BE REPRODUCED IN WHOLE OR PART WITHOUT WRITTEN CONSENT OF BUILDING DROPS, INC. ALTERATIONS, ADDITIONS, HIGHLIGHTING, OR OTHER MARKINGS TO THIS DOCUMENT ARE NOT PERMITTED AND INVALIDATE OUR CERTIFICATION.



DATE: 02.12.16

DWG. BY: SM CHK. BY: HFN

SCALE: NTS

DWG. #: CGS120

SHEET: OF 11

BILL OF MATERIALS

ITEM #	PROFILE	DESCRIPTION	MATERIAL	MANUFACTURER/REMARKS
1	2800-16	HEAD	ALUM. 6005-T5	-
2	2800-17	SILL	ALUM. 6005-T5	-
3	2800-08	TOP RAIL	ALUM. 6005-T5	-
4	-	NOT USED	-	-
5	2800-09	BOTTOM RAIL	ALUM. 6005-T6	-
6	2800-18	JAMB	ALUM. 6005-T5	-
7	2800-10	LOCK STILE	ALUM. 6005-T5	-
8	2800-13	FIXED STILE	ALUM. 6005-T5	-
9	2800-11	INTERLOCK	ALUM. 6005-T5	-
10	2800-14	INTERSTILE	ALUM. 6005-T5	-
11	2800-12	INTERLOCK	ALUM. 6005-T5	-
12	2800-24	THRESHOLD	ALUM. 6063-T6	-
13	2800-05	SILL TRACK	ALUM. 6005-T5	-
14	2800-26	TOP COVER	ALUM. 6063-T6	-
15	2800-25	BOTTOM COVER	ALUM. 6063-T6	-
16	2800-40	COVER HEAD	ALUM. 6063-T6	-
17	5500-09	HEAD SCREW COVER	ALUM. 6063-T6	-
18	2800-23	REINFORCEMENT	ALUM. 6005-T5	-
19	2800-20	HANDLE	ALUM. 6005-T5	-
20	2800-27	INTERSTILE COVER	ALUM. 6063-T6	-
21	2800-21	JAMB ADAPTOR	ALUM. 6005-T5	-
22	2800-26	ASTRAGAL	ALUM. 6005-T5	-
25	-	1/4" X 3/4" X 4" SETTING BLOCK	SILICONE	-
26	-	DOW CORNING DC790 CONT. PERIMETER SEALANT AND BACKER ROD	SILICONE	DOW CORNING
27	-	GASKET	POLYPROPYLENE / SANTOPRENE	ULTRA FAB
28	-	FIN-SEAL 0.187" X 0.250" HT	-	ULTRA FAB
29	-	DOW CORNING STRUCTURAL SEALANT DC983 OR DC795	SILICONE	DOW CORNING
30	-	BULB GASKET #202	-	ULTRA FAB
31	-	#14 P.H. S.S. SMS. 1" LONG	STAINLESS STEEL	-
32	-	#14 X 20 P.H. S.S. SMS. AT 4" FROM END & 25" O.C. MAX.	STAINLESS STEEL	-
33	2800-19	FIXED PANEL BOTTOM RAIL	ALUM. 6005-T5	-

PREPARED BY:



BUILDING DROPS, INC.
 398 E. DANIA BEACH BLVD., STE. 338
 DANIA BEACH, FL 33004
 PH: (954)399-8478
 FAX: (954)744.4738
 WEB: www.buildingdrops.com

TITLE: SERIES 2800 LIFT AND SLIDE GLASS DOOR (LMI)

BILL OF MATERIALS

325 WEST 74 PLACE,
 HIALEAH, FL 33014
 PH: (305)231-1101
 FAX: (305)231-1103



REMARKS	BY	DATE

THIS DOCUMENT IS THE PROPERTY OF BUILDING DROPS, INC. AND SHALL NOT BE REPRODUCED IN WHOLE OR PART WITHOUT WRITTEN CONSENT OF BUILDING DROPS, INC. ALTERATIONS, ADDITIONS, HIGHLIGHTING, OR OTHER MARKINGS TO THIS DOCUMENT ARE NOT PERMITTED AND INVALIDATE OUR CERTIFICATION.



DATE: **02.12.16**
 DWG. BY: **SM** CHK. BY: **HFN**
 SCALE: **NTS**
 DWG. #: **CGS120**
 SHEET: OF 11

10

PREPARED BY:



BUILDING DROPS, INC.

398 E. DANIA BEACH BLVD., STE. 338
DANIA BEACH, FL 33004
PH: (954)399-8478
FAX: (954)744.4738
WEB: www.buildingdrops.com

TITLE: SERIES 2800 LIFT AND SLIDE GLASS DOOR (LMI)

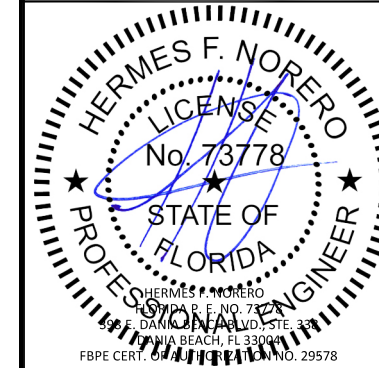
CORNER DETAILS

325 WEST 74 PLACE,
HIALEAH, FL 33014
PH: (305)231-1101
FAX: (305)231-1103

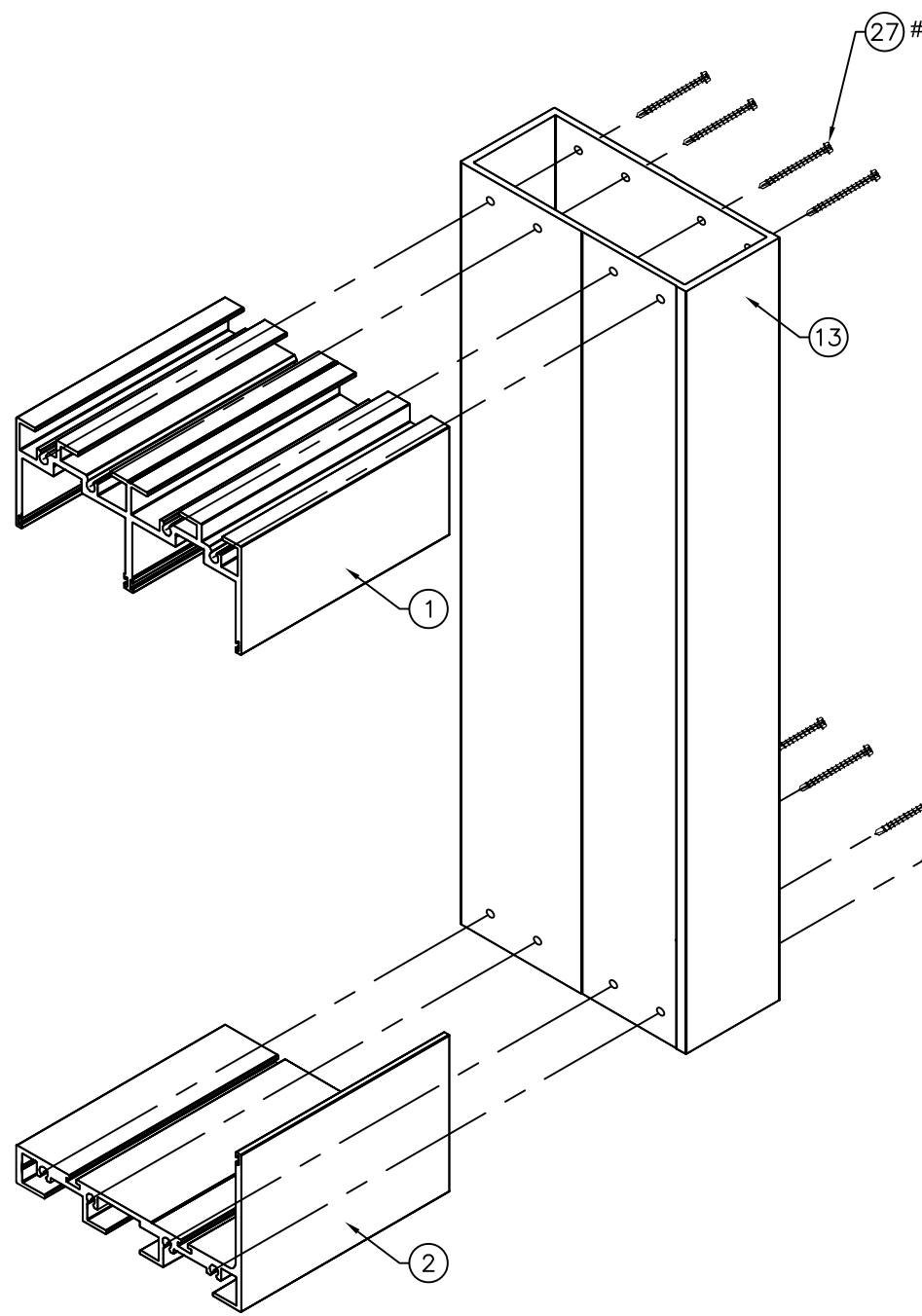


REMARKS	BY	DATE

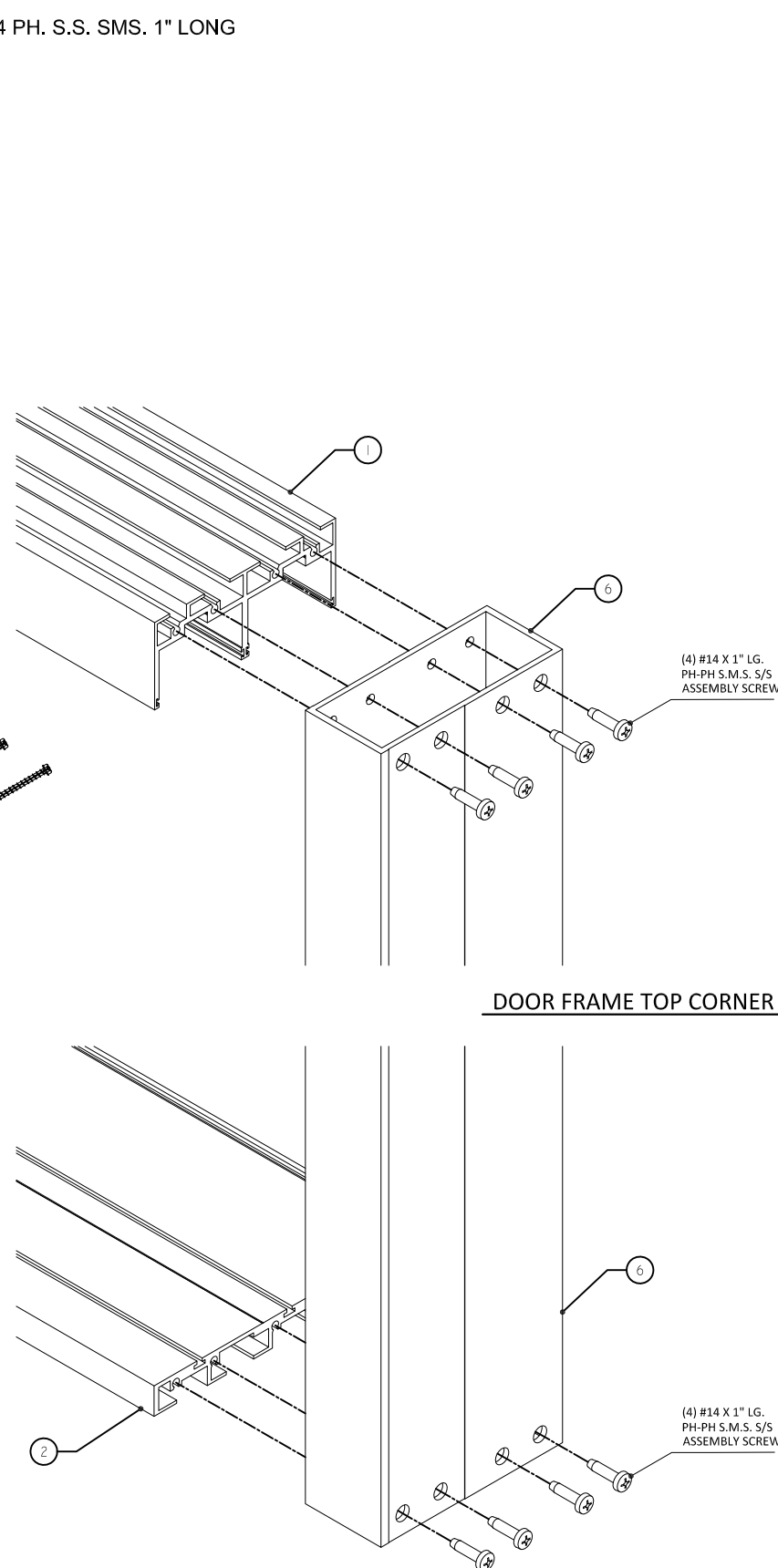
THIS DOCUMENT IS THE PROPERTY OF BUILDING DROPS, INC. AND SHALL NOT BE REPRODUCED IN WHOLE OR PART WITHOUT WRITTEN CONSENT OF BUILDING DROPS, INC. ALTERATIONS, ADDITIONS, HIGHLIGHTING, OR OTHER MARKINGS TO THIS DOCUMENT ARE NOT PERMITTED AND INVALIDATE OUR CERTIFICATION.



DATE:	02.12.16	
DWG. BY:	SM	CHK. BY: HFN
SCALE:	NTS	
DWG. #:	CGS120	
SHEET:		OF 11

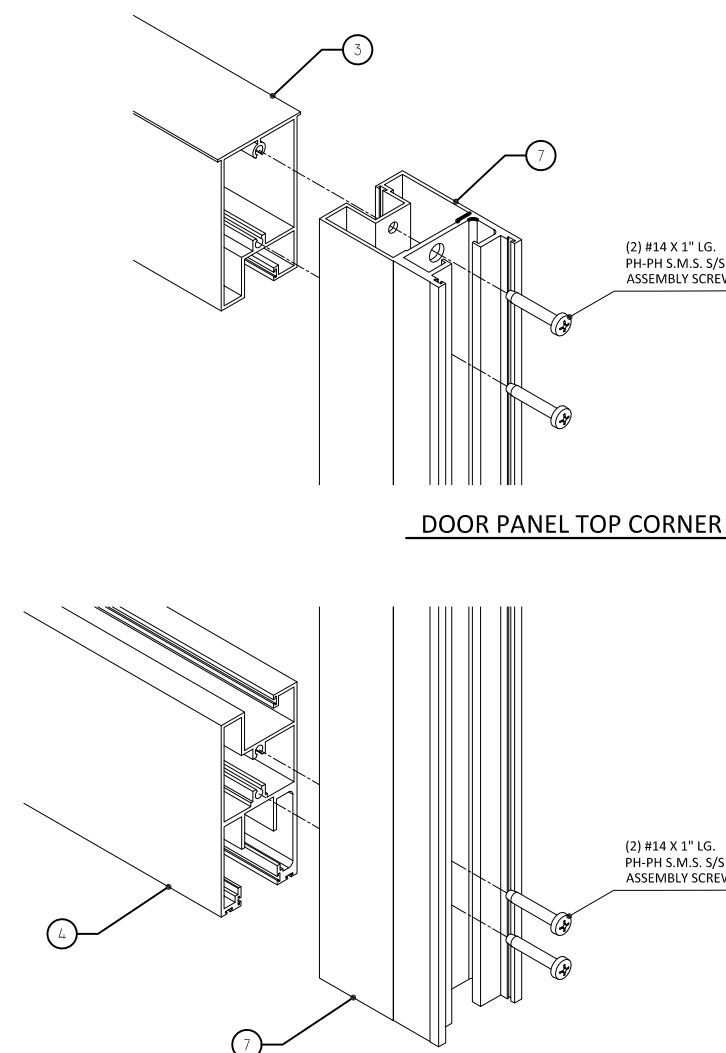


FRAME CORNER ASSEMBLY
TOP AND BOTTOM



DOOR FRAME TOP CORNER

DOOR FRAME BOTTOM CORNER



DOOR PANEL TOP CORNER

DOOR PANEL BOTTOM CORNER